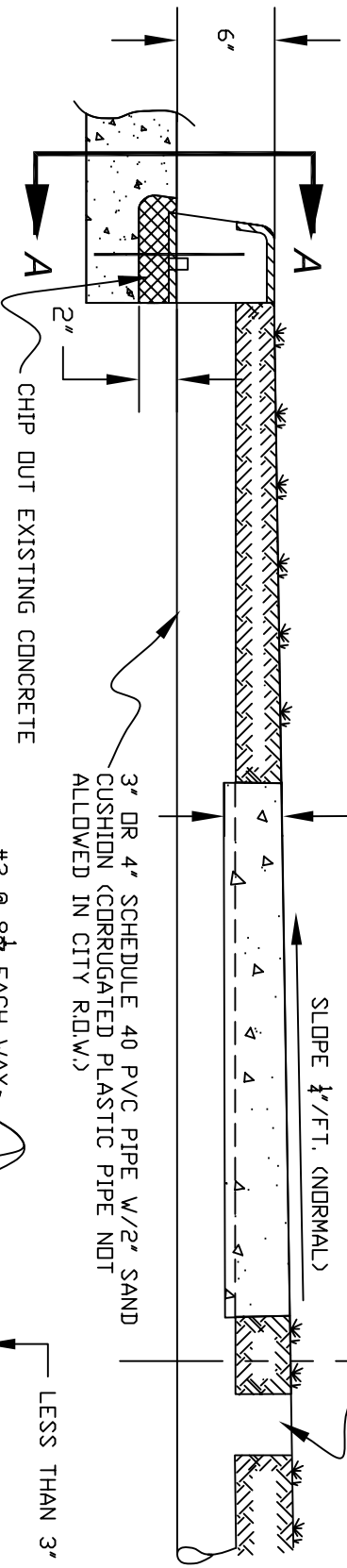


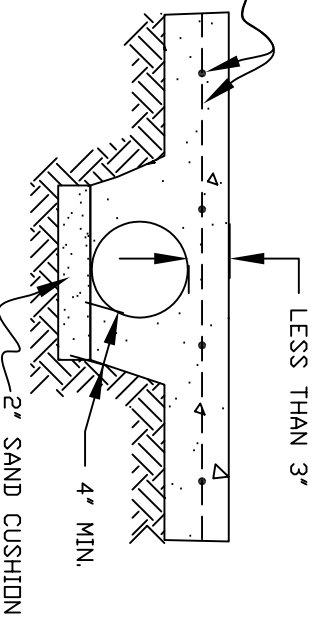
IF GRADE (FALL) IS A PROBLEM, THE SIDEWALK CAN BE REDUCED TO 2" (MINIMUM) THICKNESS OVER PIPE. REINFORCEMENT SHALL BE #3 REBAR @ 8" D.C. EACH WAY (DOWEL 4" INTO EXISTING SIDEWALK)



3" DR 4" CLEAN OUT WITH BOX W/ SCREW ON LID REQUIRED

PROPERTY LINE  
SLOPE 1/4" / FT. (NORMAL)

- NOTES:
- ① REMOVE & REPLACE ONE 5' SECTION OF SIDEWALK
  - ② IF PIPE COMING FROM PRIVATE PROPERTY IS LARGER THAN 4" IN DIAMETER, A "MANIFOLD" WILL BE USED SO THAT ONLY 3" OR 4" PIPES WILL BE BROUGHT TO AND THROUGH THE SIDEWALK CURB.
  - ③ IF THICKNESS OF SIDEWALK IS LESS THAN 3" OVER THE PIPE (I.E. WHEN SIDEWALK IS ADJACENT TO CURB), THEN USE CONCRETE ENCASED PIPE (SEE DETAIL).
  - ④ THERE SHALL BE A DUMMY JOINT IN THE SIDEWALK AT CENTERLINE OF DRAIN PIPE.



**CONCRETE ENCASED DETAIL**  
(REQUIRED WHEN LESS THAN 3" CONCRETE OVER PIPE)

# STORM WATER THROUGH CURB DETAIL